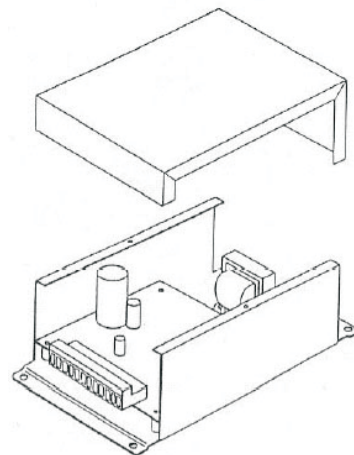


### PRODUCT DESCRIPTION:

The DVTel SecureLink NetTalk Remote Intercom Interface (RII) allows a variety of intercom speaker stations to communicate with DVTel's line of SecureLink Encoders with audio option (6500, 7500 and 8500 Series).

The SecureLink NetTalk RII with its unique ALC (automatic level control) circuitry, balances inbound and outbound audio levels so they will be compatible with the SecureLink Encoders with audio. When receiving the signal, it converts to 0dB level from the station. When transmitting the signal, it converts the low microphone level (-40dB typical) from the speaker/mic to a 0dB level at 600 ohms for transmission of the network.

The SecureLink NetTalk RIA is installed at the remote speaker station end and requires a 24 VAC power source to operate. A 12 VDC output is available to power the attached SecureLink Video Encoder. Rack mount option is also available.

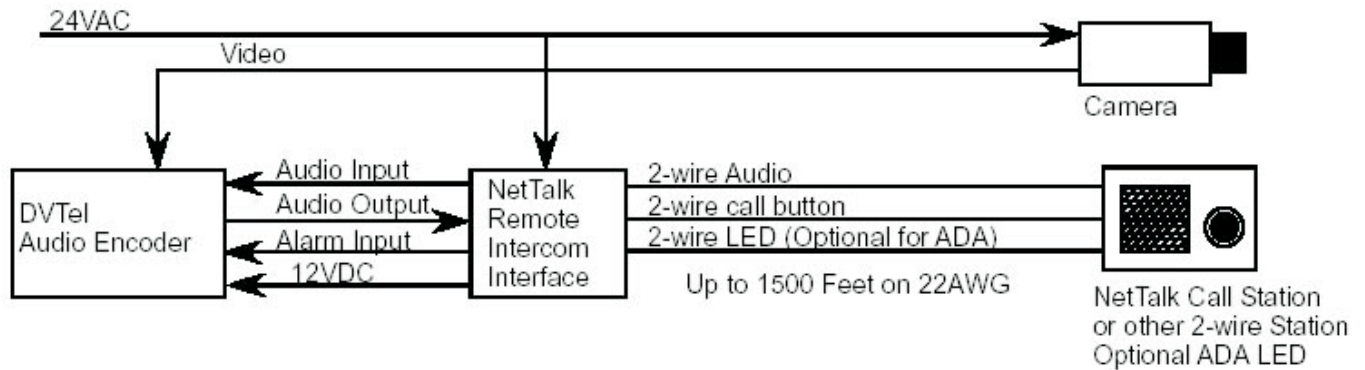


### KEY FEATURES:

- Variety of Intercom solutions to work with DVTel's SecureLink Encoder Series
- Allows any Intercom to work over the network
- Automatic Operation
- Remote door release or speaker selection
- Automatic Level Control (ALC) for maximum voice clarity
- Robust 5W audio amplifier
- Audio talk/listen control
- Short circuit and thermal overload protected
- Multi-speaker drive capability

### TECHNICAL SPECIFICATIONS:

Output to Encoder:	-20 dbm to 0 dBm across 600 ohms
Input from Encoder:	-30 dBm to +22 dBm for full output
ALC Circuitry:	52dB change in input results in no more than a 2dB change in output. Compression starts at 30 dBm @ mixing point. Fast attack, slow release action
Frequency Response:	Optimized for maximum voice clarity
Speaker Impedance:	4-50 Ohms and 25V systems - compatible with most Intercom call stations
Power Requirements:	24 VAC input @ 50ma idle; 275ma continuous maximum
Controls:	TX - TRANSMIT (TX level) -20 to 0dB RX - RECEIVE (RX level) 0 to maximum audio power
Connections:	All connections are made via a PC board mounted 12 pin captive screw terminal string
Distance Capabilities:	Up to 1500 feet from speaker - door control
Audio Power Output:	5W @ 4 Ohms
Dimensions:	4 1/4" w x 6 1/4" h x 3" d
Ordering Information:	DVT-NTK-RII-1 - Remote Intercom Interface

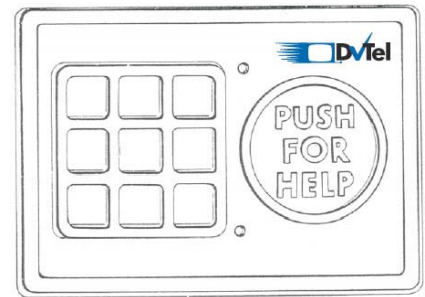


**NetTalk Remote Intercom Interface provides:**

- 2-wire to 4-wire conversion
- Automatic 2-way Audio Level Control (ALC)
  - Prevents over/under driving inputs & outputs
- Robust 5W Audio amplification handles multiple speakers and low impedance loads
- Auto Talk/Listen Control compatible with NVRS audio controls
- 24VAC operation
- 12VDC output to operate a DVTel Encoder
- Optional ADA LED support
- Supports 4 to 50 ohm & 25V systems

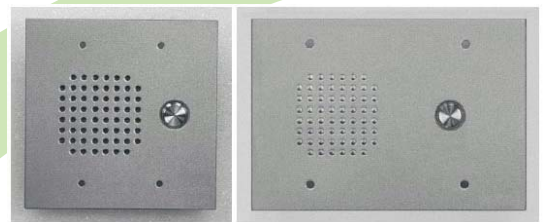
## SecureLink NetTalk Speaker Series

**The DVTel SecureLink NetTalk Intercom Speaker Station** is made of rugged cast aluminum baffle that has an extremely high resistance to corrosion and heavy impact. It offers superb sound quality and a very stylish appearance. By changing the speaker configuration, two different versions are available. The Intercom Speaker Station Indoor uses a standard cone speaker with a stainless steel perforated speaker grill. The Intercom Speaker Station Outdoor uses a waterproof cone speaker that can withstand extremes in heat, dust and weather. A stainless steel fine mesh screen is attached to the front of the perforated speaker grill to reduce water and dirt build-up inside the speaker station. The rugged cast aluminum push button has been designed for high visibility and easy, trouble free operation. It has been engineered to activate a call when just 2 lbs (.9 Kg) of pressure is applied anywhere on its front surface. Tamper proof screws are supplied for securely mounting the speaker station, and several options are available. These options include: 25 Volt Line Transformers, LED display indicators, and a variety of speaker impedances.



**Features:** Rugged Cast Aluminum, Stylish appearance, high quality speaker/microphone, Standard 3 Gang Size, Superb sound quality, LED Display Option Available.

**The DVTel SecureLink NetTalk Vandal Proof Speaker Stations** are constructed entirely of stainless steel and were designed specifically for security applications. These rugged speaker stations have a smooth, clean appearance, but can handle abusive environments. The 2 1/2" speaker used in this series, has a special Sealed Linear Design protecting the speaker from ferrous and non-ferrous particles. With a wide operating temperature range and resistance to water, this station still provides outstanding audio performance. An offset, perforated 14 gauge stainless steel grill plate further protects the speaker from liquids, open flame and physical abuse.



The call button is made entirely out of stainless steel. A stop between the button cap and the flanged switch body protects the replaceable switch from being damaged. This design permits the switch assembly to be taken apart for service and cleaning as needed.

**Features:** All Stainless Steel Construction, 11 Gauge Faceplate, Waterproof Speaker/Microphone Resists Damage by Abuse, Flame and Liquid, Rugged All Stainless Steel Button, Superb Audio Clarity, 45 ohm or 25 Volt Operation, Other Configurations Available.

**The DVTel SecureLink NetTalk Re-Entrant Horn Speaker** is used where noise penetration and clear speech intelligibility is required in one or two way communication systems. A special diffuser suppresses on-axis hot spots and improves dispersion.

The Re-entrant horn speaker is conservatively rated at 16 watts continuous duty. Its powerful compression drivers steel parts are plated to meet a 96 hour salt spray test. The construction is weather and corrosion resistant using stainless steel fasteners and engineering grade UV resistant thermoplastics.

The mounting system is designed for easy assembly and adjustment. Power adjustments are done with a color coded 5 conductor cable.



**Features:** Designed for noise penetration and speech clarity; excellent sensitivity as a microphone in two-way systems; weather and corrosion resistant construction using stainless steel fasteners and UV resistant thermoplastics; conservatively rated at 16 Watts continuous duty; diffuser suppresses on-axis hot spots.

### NetTalk Intercom Speaker Station

Speaker:  
Size/Shape: 3" Square  
Magnet: 2.5 oz. Ceramic  
Continuous Power: 5 Watts  
Peak Power: 10 Watts  
Mounting Diameter: 3 3/8"  
Depth: 1 7/32"  
Impedance: 45 Ohms (25 Volt transformers are also available)  
Frequency Response: 260 to 8KHz (standard)  
400 to 4.5KHz (waterproof)  
Output Sensitivity: above .0002 Dynes/CM squared; 87dB 92dB (standard)

Baffle:  
Construction: Cast Aluminum  
Finish: Black Anodize with Silver Trim  
Dimensions: 6 1/2"x 4 9/16" x 1/2" D  
Fits a standard 3 gang electrical box

Ordering Information: DVT-NTK-ISS-10 - NetTalk Intercom Speaker Station  
DVT-NTK-ISS-10-O - NetTalk Intercom Speaker Station Outdoor  
DVT-NTK-ISS-10-L - NetTalk Intercom Speaker Station LED  
(Replace 10 with 25 for 25 volt/1 watt transformer)

### NetTalk Vandal Proof Speaker Station

Speaker Size: 2 1/2" Square  
Impedance: 45 ohm or 8 ohm with 25 Volt 2 Watt Line Transformer  
Power: 6 Watts RMS; 12 Watts Program  
Frequency Response: 350 Hz to 4.5 kHz  
Sensitivity: 87 dB (above .0002 Dynes/CM<sup>2</sup>)  
Environmental: -55°C to +85°C; Total immersion in water for 96 hours without degradation  
Call Button: All Stainless Steel housing; 1 Amp @ 25VAC or 28VDC; 250,000 cycles at full rating  
Dimensions: Small: 4 1/2" w x 4 1/2" h x 1 3/8" d (2 5/8" d w/Transformer)  
Large: 6 3/8" w x 4 1/2" h x 1 3/8" d (2 5/8" d w/Transformer)  
Material: 11 gauge SS front panel w/14 gauge SS baffle plate; matte finish  
Weight: 2 Gang Box: 1 1/2 lb.; 1 3/4 lbs w/transformer  
3 Gang Box: 1 3/4 lb; 2 lbs w/transformer

Ordering Information: DVT-NTK-VAN-1 - NetTalk Vandal Proof Speaker Station - 2 Gang Box  
DVT-NTK-VAN-2 - NetTalk Vandal Proof Speaker Station - 3 Gang Box  
(Add 25 to end of order number for 25 Volt transformer)

### NetTalk Re-Entrant Horn Speaker

Power Handling: 16 Watts Continuous Duty  
Frequency Range: 600 - 5600 Hz ( $\pm 3$  Db), 400 - 6800 hZ ( $\pm 6$  dB)  
Sound Pressure Level: 1 Watt 500 - 5000 Hz, averaged; 109 dB; 1 Watt, 1 Octave at 2 KHz, averaged; 110.7 dB;  
16 Watts, 1 octave 2 KHz, averaged; 122 dB  
Talk-Back Sensitivity: Referenced 94 dB(1.0 Pa) SPL, 700 - 2000 Hz; 47.4 + 2 mV or -13dBm (0 dBm = mv)  
Materials: Impact and UV resistant ABS Horn and cover. High Stability, UV resistant polycarbonate for driver and mounting components. Stainless steel fasteners.  
Driver: Compression type, integral with horn. Replaceable phenolic diaphragm driven by a high head rated voice coil. Magnet is Strontium Ferrite.  
Color: Tan with brown diffuser/inner horn  
Wiring: 5 conductor black jacketed 30" long cable  
Power Taps: 16, 8, 4 & 2 Watts

Ordering Information: DVT-NTK-HRN-1 - NetTalk Re-Entrant Horn Speaker

# SecureLink NetTalk Emergency Call Tower

## PRODUCT DESCRIPTIONS:

The DVTel SecureLink NetTalk Compact Emergency Call Tower has triangular construction, 1/8 inch powder-coated steel, 38 inches high and is 11 inches on each side. It comes with a combination blue strobe and blue area light and is camera ready.



## KEY FEATURES:

- Powder coated
- 38" high, 11 inches on a side
- Intercom through the Compact Emergency Call Tower can be initiated by a remote attendant
- Combination blue strobe and blue area light
- Lighted panel
- Emergency calls can only be terminated by remote attendant
- 1/8 inch powder-coated steel
- Vandal-resistant polycarbonate protection for blue strobe and area light
- Camera ready mountings
- Camera ready relay
- "Call Progress" lamp for ADA compliance
- Tamper resistant cabinet security screws
- 12 volt AC
- Optional wide angle lens, low light level camera
- Optional pole mounting kit

Ordering Information: DVT-NTK-CECT-1